

Media: air – water – gas – oil
 Pressure range: 0 to 10 bar max
 Media temperature: -10°C +150°C max
 Ambient temperature: -10° to +60°C
 Media viscosity: 200 centistokes max
 Mounting: Coil upright

2/2 Stainless

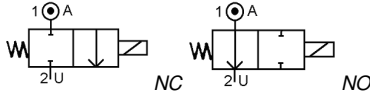
3/8 to 2" & DN15 to DN80

N/CLOSED & N/OPEN

2 WAY DIRECT ACTING

0 – 10 Bar

TYPE STGE



PRESSURE

Ø Port	Ø Orifice (mm)	Flow Kv Ltr/ min	Pressure Rating (bar)		Thread Flange	Max Media Temp. °C	Part Number	List Price
			Liquid ΔP	Gas ΔP				
3/8	15	60	7	10	BSP	90	1208 + seal + port + voltage	
1/2 BSP DN15	15	67	7	10	BSP DN	90	1210-2 + seal + port + voltage	
							1211-2 + seal + port + voltage	
3/4 BSP DN20	20	165	3	3	BSP DN	90	1216-2 + seal + port + voltage	
							1217-2 + seal + port + voltage	
1 BSP DN25	25	195	2.4	3	BSP DN	90	1222-2 + seal + port + voltage	
							1223-2 + seal + port + voltage	
1 1/4 BSP DN32	32	420	1	1.5	BSP DN	90	1230-2 + seal + port + voltage	
							1231-2 + seal + port + voltage	
1 1/2 BSP DN40	40	450	1	1.5	BSP DN	90	1236-2 + seal + port + voltage	
							1237-2 + seal + port + voltage	
2 BSP DN50	50	690	0.6	1	BSP DN	90	1244-2 + seal + port + voltage	
							1245-2 + seal + port + voltage	
2 1/2 BSP DN65	65	450	-	0.49	BSP DN	90	1250-2 + seal + port + voltage	
							1251-2 + seal + port + voltage	
3 BSP DN80	80	450	-	0.3	BSP DN	90	1256-2 + seal + port + voltage	
							1257-2 + seal + port + voltage	

OPTIONS

IP65 Coil & PG11 Conduit entry
 Normally Open version (22**)
 ATEX Explosion proof Enclosure: ATEX 2 G/D EExdIICT1 to T6
 Twin Coil, Limit Switches, Dry Armature
 Many other custom made options available upon request

Included

ELECTRICAL DATA

Voltage (-10% + 10%) Continuous duty 100%	Electrical Circuit	Power		Insulation class	Enclosure	Cable Entry
		Inrush	Holding			
~ 12 -24 - 48 – 110 (50Hz)	E1	400VA	80VA	B 130°C	IP51 NC	PG11
	D1	1000VA	150VA			
	K4CA	175VA	18VA			
~ 220 – 230 – 380 (50Hz)	K3CA	400VA	18VA	B 130°C	IP53 NO	PG11
	L1	1100VA	15VA			
	K1	1300VA	15VA			
~ 220-230 50Hz (50Hz)	K4CC	150 Watts	15 Watts	B 130°C	IP51 NC	PG11
	K3CC	350 Watts	15 Watts			
	G1	50 Watts	50 Watts			

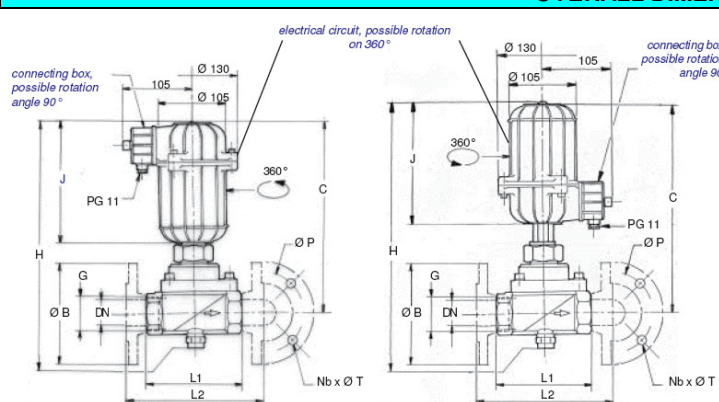
CONSTRUCTION

Body: 316Ti + 316L Stainless steel
 Tube and internal parts: 316L Stainless steel
 Seals and gaskets : NBR (Optional EPDM & Viton)
 Moulded coil: Laminated Magnet

REPAIR KIT

Diaphragm Seal	Valve part number + seal material
Coil	Coil size (E1, D1, K3CA, K3CA, L1, K1, K4cc, K3CC, G1) + voltage

OVERALL DIMENSIONS



Model	J	C	H	L1	L2	B	P
1208	185	240	270	67			
1210	185	240	270	67	130	95	65
1216	185	260	280	95	150	105	75
1222	185	260	280	95	160	115	85
1230	185	290	320	140	180	140	100
1236	185	290	320	140	200	150	110
1244	185	340	385	168	230	165	125
1250	185	325	410	140	290	185	145
1256	185	330	440	140	310	200	160

NC (Normally Closed) version

NO (Normally Open) version